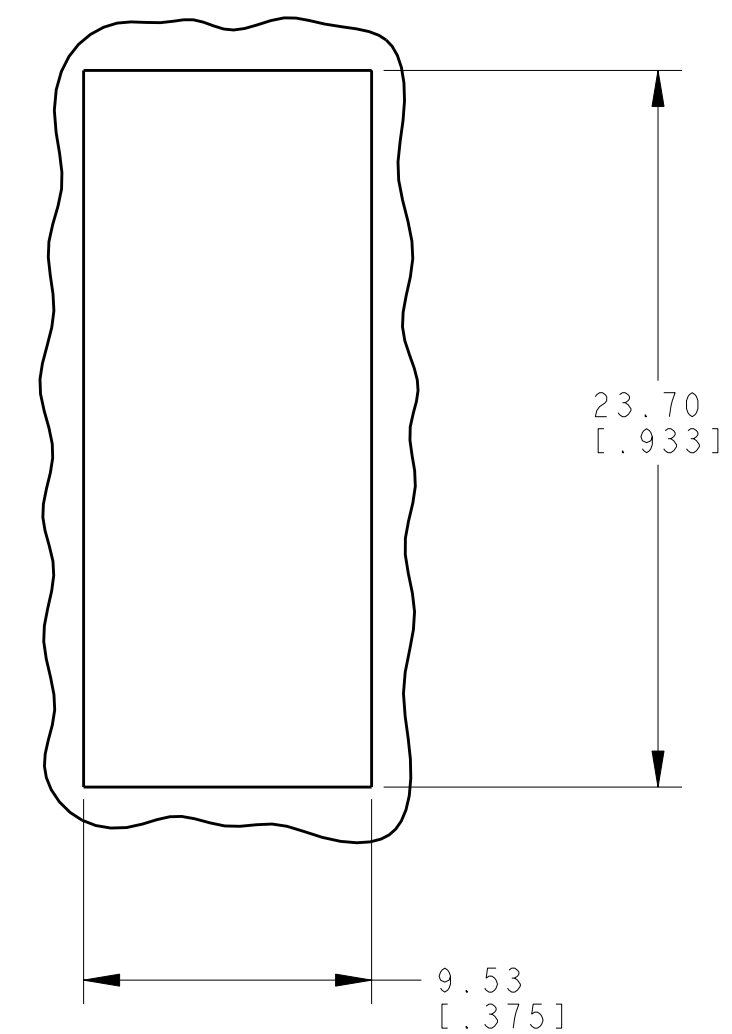
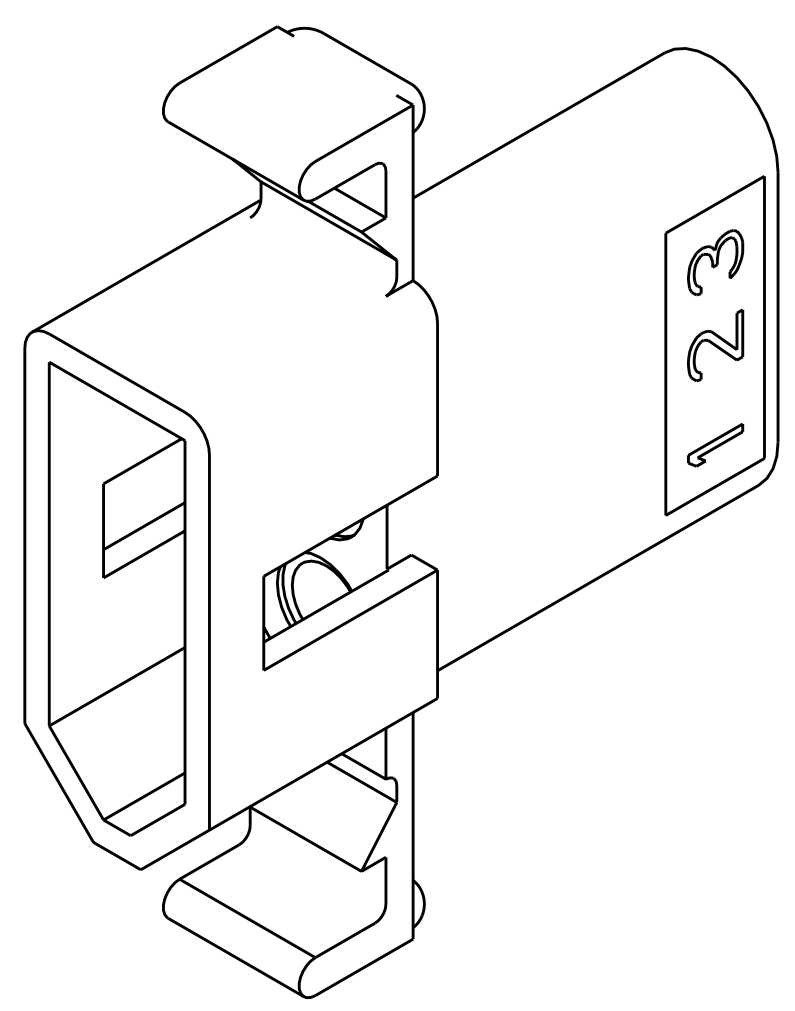
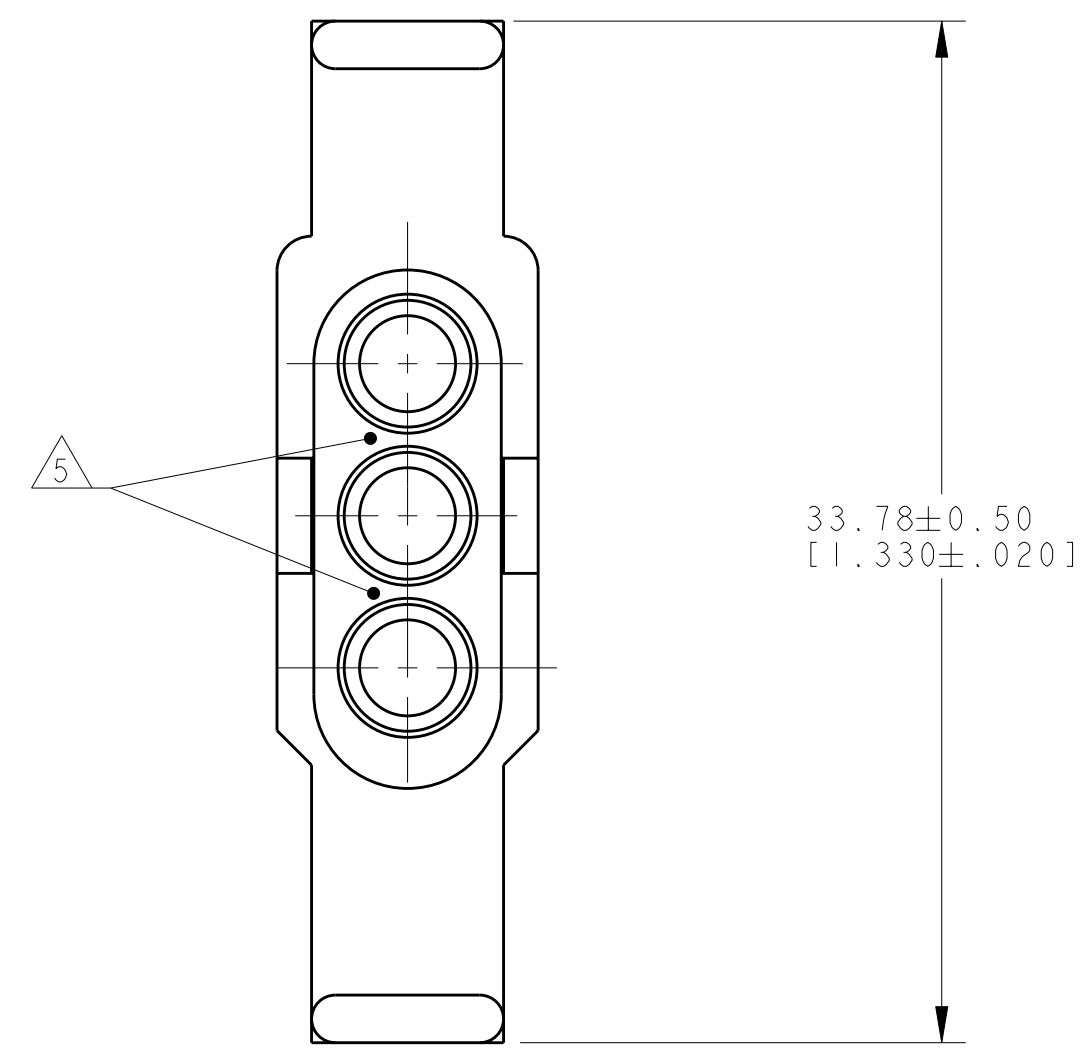
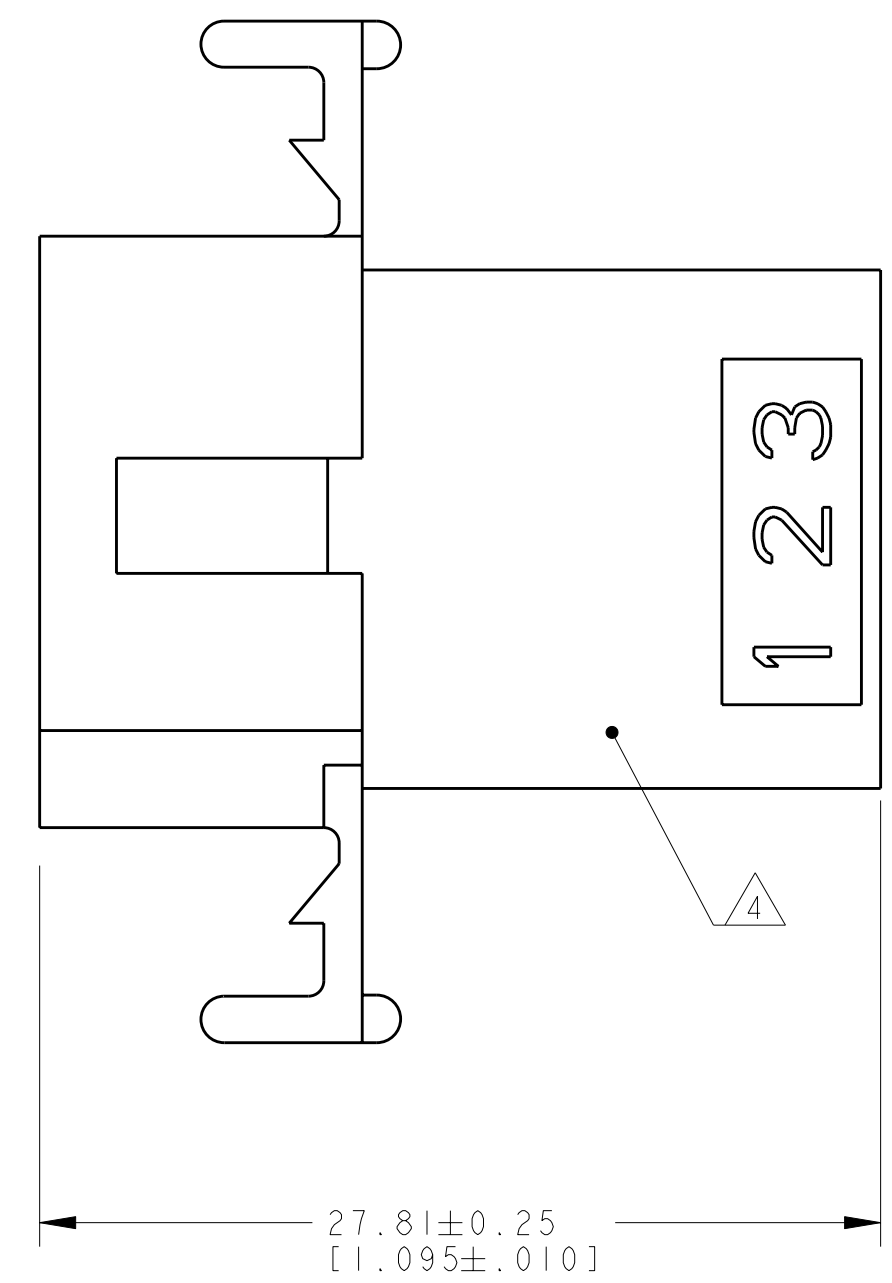
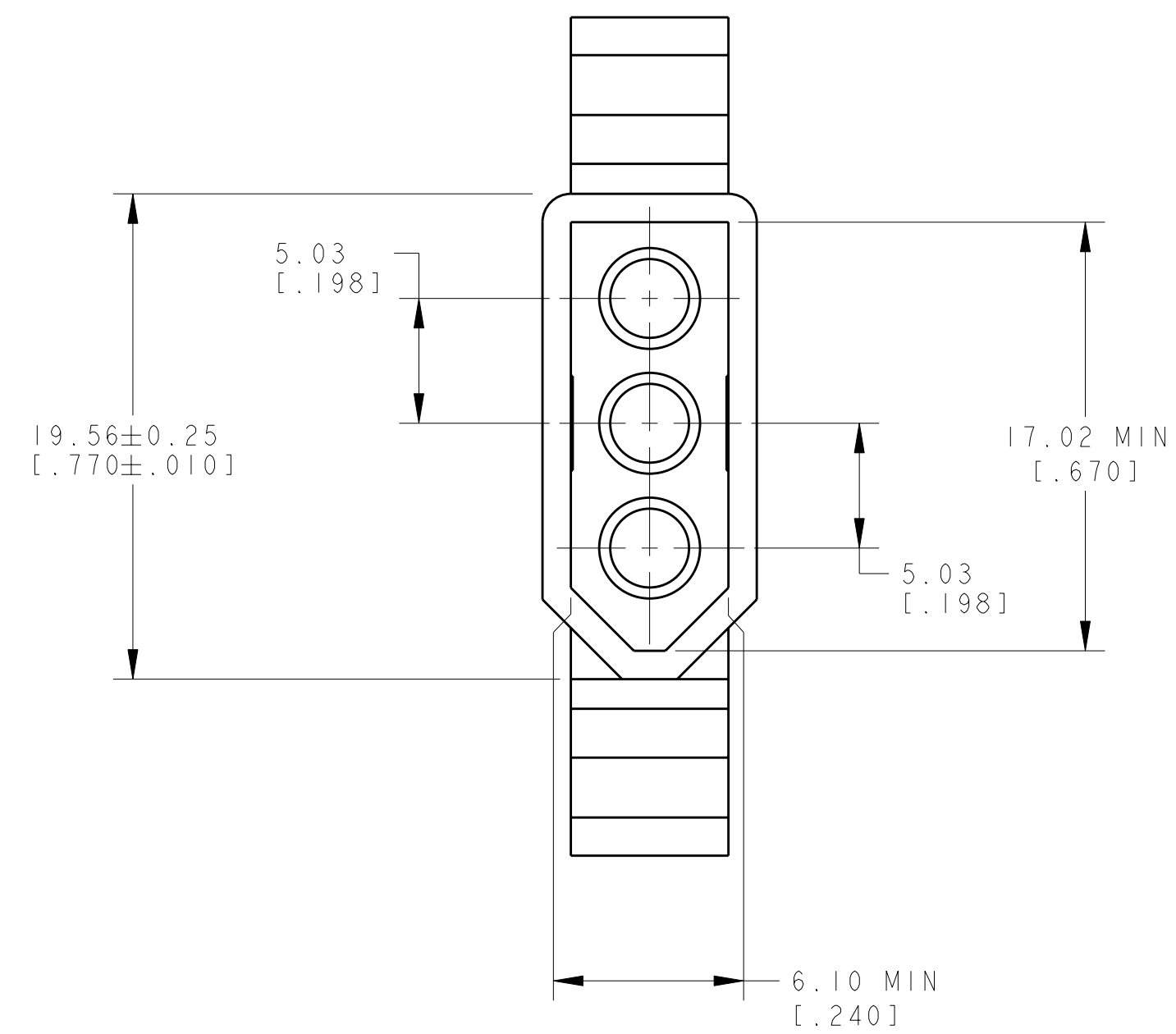


LOC	DIST	REVISIONS			
CM	00	REV	DATE	DWN	APVD
		N	REVIS PER 063B-0540-04	05AUG04	KW DC
		NI	REVIS PER ECO-06-008661	19JUL06	KW DC
		P	REVIS PER ECO-06-019951	28AUG2006	KW DC

- 1. MATERIAL: NYLON UL94V-2 (NATURAL).
- 2. RECOMMENDED PANEL THICKNESS 2.29 [.090] MAX.
- 3. MARKING FOR UL AND CSA LOGO SHALL BE LOCATED ON ANY EXTERNAL SURFACE.
- 4. AMP LOGO AND CIRCUIT NUMBERS LOCATED IN AREA, EITHER SIDE, SIZE OPTIONAL, FROST BACKGROUND.
- 5. WALL THICKNESS TO MEASURE 0.36-0.51 [.014-.020]



RECOMMENDED PANEL CUT OUT

**METRIC**

770073-1  
PART NUMBER

<small>THIS DRAWING IS UNPUBLISHED. RELEASED FOR PUBLICATION BY TYCO ELECTRONICS CORPORATION. ALL RIGHTS RESERVED.</small>		DWN: R. WHITAKER 05AUG2004 CHK: D. COLEY 05AUG2004 APVD: D. COLEY 05AUG2004	<b>tyco</b> Electronics Tyco Electronics Harrisburg, PA 17105-3608
DIMENSIONS: mm [INCHES]	TOLERANCES UNLESS OTHERWISE SPECIFIED: 9 PLC ± 8 PLC ±0.13 [1.005] 5 PLC ± 4 PLC ± ANGLES ±40° 30'	NAME: PLUG, 3 CIRCUIT, .093 COMMERCIAL PIN AND SOCKET PRODUCT SPEC: APPLICATION SPEC: SIZE: CAGE CODE: DRAWING NO: A100779C=770073 WEIGHT:	RESTRICTED TO:
MATERIAL:		CUSTOMER DRAWING SCALE: 4:1 SHEET 1 OF 1 REV P	